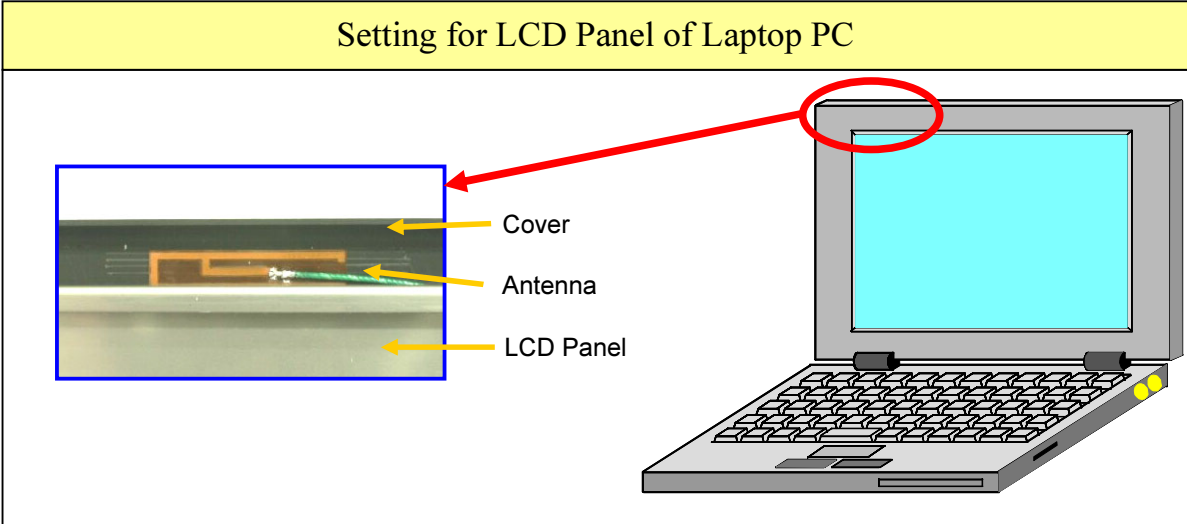
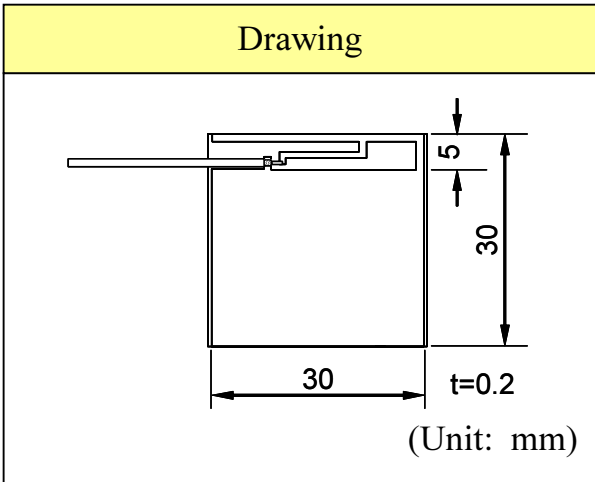
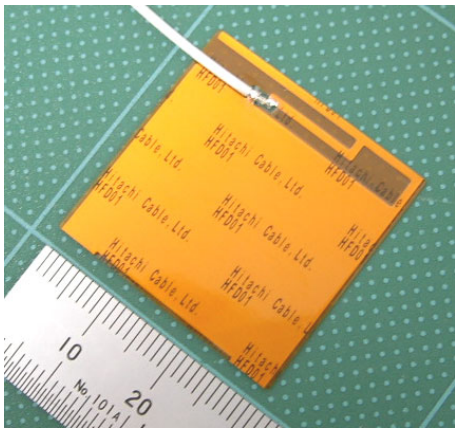


Hitachi Cable Terminal Antenna

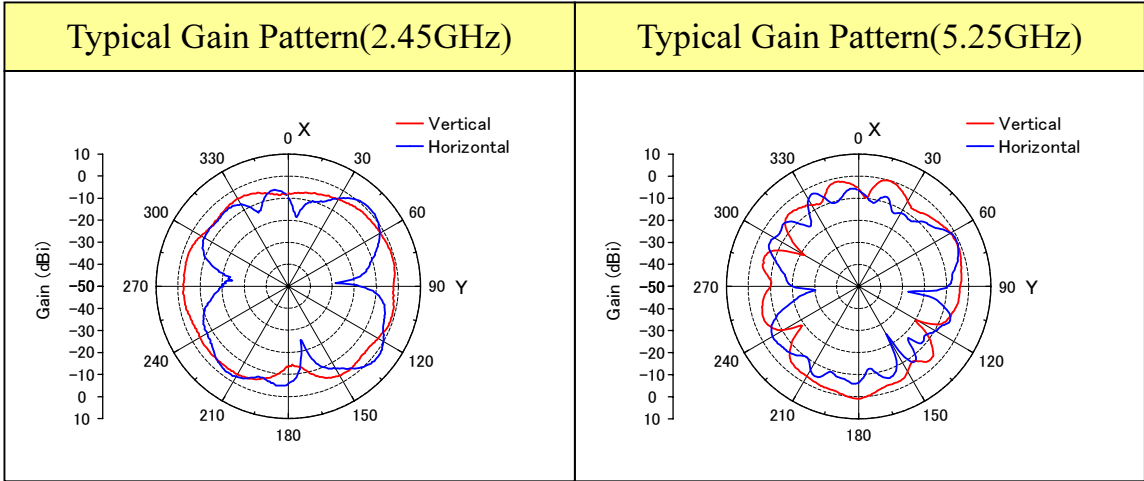
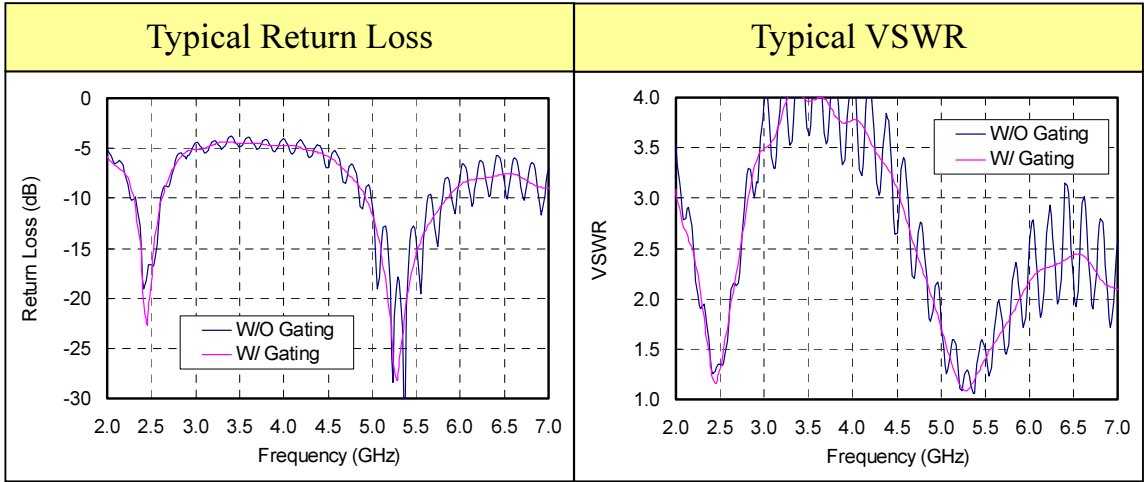
2.4GHz / 5GHz Film Type Antenna for Wireless Application

HFD01

This 2.4GHz/5GHz Film Type Antenna is suitable for the terminal devices of wireless communication, like Laptop PC, PDA, etc, and provides the best solution for IEEE 802.11a/b/g systems. The thickness of this antenna is 0.2mm, and you can insert this antenna into thin and narrow space. This Film Antenna has high efficiency and good uniformity of radiation pattern at both frequency bands, and the 5GHz-bandwidth is large enough to cover the 5.0 – 5.8 GHz range. This antenna is designed using Hitachi Cable’s patented particular antenna technology.



Hitachi Cable Terminal Antenna



Electrical Specifications(Typical)	Mechanical Specification
<ul style="list-style-type: none"> - Frequency Range 2.4-2.5 / 5.0-5.8 GHz - VSWR <2.0:1 for 2.4GHz band <2.5:1 for 5GHz band - Peak Gain 1.5dBi - Average Gain -2.0dBi - Polarization Linear - Impedance 50 ohms 	<ul style="list-style-type: none"> - Size 30.5 (w) x 31 (h) x 0.2 (t) mm <p>© 2004 Hitachi Cable, LTD. All rights reserved. Specification subject to change without notice. Protected by one or more Japan Patents, including No.2001-138361. Additional US, European and other foreign patents pending.</p>

HITACHI CABLE. LTD.	
<p>Head Office Akihabara UDX 4-14-1 Sotokanda, Chiyoda-ku Tokyo 100-8971 Japan Tel +81-3-5256-5454 Fax +81-3-5256-3240 Hideki Matsuura matsuura.hideki@hitachi-cable.co.jp</p>	<p>Hitachi Cable Fine Tech, Ltd. Production Engineering Gr. 4-10-1 Kawajiri-cho, Hitachi-city Ibaraki-ken 319-1411 Japan Tel +81-294-42-5659 Fax +81-294-42-6224 Keisuke Fukuchi fukuchi.keisuke@fine.hitachi-cable.co.jp</p>